

OWNERS MANUAL

Deltronic



Gas alarm DGA-6211 & DGA-6233

Important: Read all of the following instructions before installing the unit! It is important to achieve the desired result and prevent harm to the user and surroundings.

Product Description

This Gas alarm is designed to detect and alert in presence of explosive gases, in normal residential environments. Explosive gases are dangerous when the concentration exceeds the Lower Explosion Limit in air (LEL). This Gas alarm is calibrated to alert in good time before the dangerous concentration is reached. For more information on which gases the alarm detects, as well as calibrated alarm levels, see below. The alarm is connected to 12VDC (direct voltage) when used in a cottages or cabins. In homes, it is connected directly to a wall socket via the supplied 230VAC to 12VDC power adapter.

Characteristics

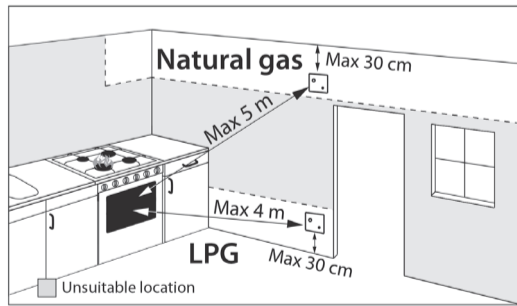
- The LED indicators provide information on the status of the Gas alarm during installation, alarms and normal operation including automatic fault detection.
- A push on the test / silence button, silences any unwanted alarms for 10 minutes.
- Automatic self-test to ensure that the sensor works reliably.
- Interconnect (cable) with up to 16 other gas alarms.
- Automatic lifetime warning when the sensor reaches its end of life.
- Sensitivity in accordance with the requirements of EN 50194-1: 2009.

Placement

We recommend the Gas alarm to be mounted near the vicinity of all gas-connected equipment, near gas lines and gas tanks. Installation of several gas alarms can often increase your safety. Depending on the type of gas you primarily want to detect, the Gas alarm should be mounted at different heights. Also, make sure that there is a wall outlet max. 1,5 meters from the location where the alarm is located, if using the 230 V AC power adapter. **NOTE!** The Gas alarm should be installed by a knowledgeable person or expert. There is a risk of permanent failure if the equipment is incorrectly installed, modified or damaged during installation.

Natural gas / City gas (Methane)

Natural gas consists mainly of methane which is lighter than air, the Gas alarm must then be mounted high up on the wall. Keep in mind that the Gas alarm position can not be lower than any door or window opening. Normal placement is at most 30 cm from the ceiling and around 1-5 m from the gas equipment. See the figure below.



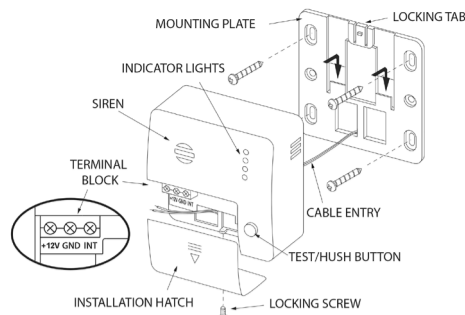
LPG gas (Propane or Butane)

If detecting LPG gases (bottle gas) which is heavier than air, the Gas alarm should be mounted low, near the lowest point. Keep in mind that there should be no door or window between the alarm and the gas source, it can prevent leaking gas from reaching the alarm. Normal placement is at most 30 cm from the floor and at most 4m from the gas equipment. See the figure above. Remember that this type of gas is heavy and can also "flood" under the floor. Therefore, place the alarm under any removable or open floor solutions, if any!

Avoid placement:

- Directly above an oven or a stove where food, frying fat and dirt can affect the alarm over time.
- Directly above a sink where water splash (moisture) and dirt can affect the alarm.
- Beside ventilation ducts, fans or poorly insulated windows / doors as there may be a risk of draft.
- Built-in or covered, as it may delay the detection of a possible gas leakage.
- Outdoors or where the humidity is less than 30% or higher than 90% relative humidity e.g. in bathrooms. Operating temperature is between -10 and +50 °C.

Installation



1. Select the appropriate location for installation according to the section "Placement" as per above. Ensure that no electrical wiring or water pipes can be damaged during installation if drilling. Loosen the mounting bracket on the back by releasing the locking tab at the upper part of the unit.
2. Loosen the screw on the bottom of the alarm and remove the installation hatch. Choose the appropriate type of supplied power cord, either with a 12V DC plug or the one with a 230V AC adapter. Connect the cable to the connectors of the terminal block marked "+12V" and "GND". If required, the cable laying can be done either from the back (through the mounting bracket) or through the installation hatch straight from below. Be sure to follow the polarity, positive conductor to "+12V", and the negative to "GND" see marking on the cables, as the colour is not always the same in different production batches.
3. To improve detection or alert, the Gas alarm can be connected to other Gas alarms, in this case use two separate conductors on the terminals labelled "INT" and "GND" repeat between all units. In a car or a boat installation, it is enough with one cable at "INT" as the vehicle has common ground.
4. Fix the mounting plate (with the locking tab pointing upwards) on the wall, with the supplied screw and plug. Close the installation hatch and then secure the hatch with the screw. Slide the alarm on to the mounting bracket.
5. Connect the power supply to 12VDC, or if applicable, to 230VAC via the supplied AC adapter. When the power supply is connected correctly, the green LED lights up. Shortly thereafter, yellow and red LEDs will also light up for about 1 sec, indicating that the gas alarm has performed a self test, the unit is operational after 5min, when the sensor has been warmed up.
6. If the green LED is on, the alarm is ready for use, otherwise check the connection and the power supply as above. Then press the test button to check the Gas alarm function. **NOTE!** High noise level >85dB!

NOTE! It can take up to 5 minutes before the Gas alarm is heated, depending on the ambient temp!

Features

Alarm at gas detection:

When gas is present (exceeding pre-set % of LEL), an alarm will occur with a series of 4 powerful beeps, which are repeated continuously at 1 and 1/2 sec interval, together with the Red LED indicator. See also "Interconnection" (via wire) below.

NOTE! It could be possible to smell gas in the air before the alarm is triggered, the concentration is then below the set % value, depending on type of gas or the gas has not yet reached the sensor.

Pause/Hush function:

The alarm signal can be interrupted by pressing the test and silence button. The alarm signal will then stop immediately and will remain silent for about 10 minutes. Red LED continues to blink at 4 sec intervals.

Interconnection (via wire):

To obtain the earliest possible warning, up to 16 gas alarms can be connected (via wire). When one unit detects gas, all interconnected units alarms simultaneously. Red LED flashes only in the detecting unit. Check the section "Overview signal features" as per below.

Lifetime Warning and Automatic Self-Test:

The gas sensor has a limited service life of 5 or 10 years*, the unit will warn in good time before the sensor is worn out. You then need to replace the entire gas alarm. The detector is also equipped with a self-test function that ensures proper function. In the event of a technical error, this is indicated by two short clicks, the lifetime warning is indicated by three short clicks, in both cases at a 1 minute interval. Yellow LED flashes and red LED lights is solid. In the event of a technical error, clean the alarm and check the power supply and try if necessary to place the alarm in another room. In case of residual faults or lifetime warning, replacement should be made as soon as possible.

Test and maintenance

WARNING! Tests with gas from a cigarette lighter, dipping the sensor in a bucket full of gas or letting flowing gas pass through the sensor might damage the unit or even worse create a local explosion.

When the mixture of gas in the air reaches the sensor and is above the pre-set % value of LEL, the unit will send an alarm.

- Test the Gas alarm by pressing the test button. The alarm then emits 4 short beeps while the red LED flashes once for each beep, indicating correct operation. **NOTE!** High noise level >85dB!
- Test the Gas alarm regularly every month and always after a longer absence away from the sensor.
- Also check that the indicator light (red LED) flashes once per minute (normal operation).
- Keep the Gas alarm free of moisture (damp environment) grease and dirt.
- Regularly vacuum all openings with a soft brush.
- Never use detergents, water or chemicals when cleaning, as these can damage the Gas sensor! Solvent based detergents, alcohol, varnish, paint or aerosols used in the vicinity of the Gas alarm can also trigger unwanted alarms.
- Test the Gas alarm after each cleaning by pressing the test button.

- When leaving an area where gas is used, close the equipment and also the gas supply if possible.
- Do not make any changes to the gas installation unless you have sufficient knowledge.
- Ensure that the gas installation is carried out in accordance with current regulations. Let a specialist check the equipment at regular basis.
- If possible avoid sleeping in the immediate vicinity of gas installations.

In case of alarm

Take all alarm of gas leakage seriously. Keep calm and may we suggest the following actions, but not necessarily in the order they are listed:

- Switch off the gas supply and check the connected equipment like pipes, pipe fittings and hoses.
- Open all windows and doors immediately to vent.
- Never switch on or off any electrical machines, lamps, etc. as a spark inside switches can cause explosions. Immediately extinguish all open flames, including flames from cigarettes & candles.
- In case of emergency, check that all people in the building, boat, caravan etc. are safe outside. Call the Rescue Service at 112 or 911 from the outside of the building when it is safe to do so!
- Do not return to the building until rescue personnel have arrived and the space has been ventilated, and the alarm signal has ceased. Keep in mind that heavy gas is difficult to ventilate from low cavities.
- In other cases, or if the alarm signal continues to sound after the pause function is activated, vacate the premises. Contact your gas equipment supplier, authorized specialist, or the Rescue Service for assistance. The same applies, of course, if you do not find the source of the gas leak.

Overview signal features

	Sound	LED indications
Normal operation	No sound	Red LED flashes once per minute
Gas alarm	4 loud beeps one after the other, with 1.5 sec intervals	Red LED flashes continuously
Gas alarm from interconnected gas alarms	4 loud beeps one after the other, with 1.5 sec intervals	No special LED indication
Test button jammed	1 beep every 12 seconds	No special LED indication
Pause mode	No alarm signal for approx. 10 minutes	Red LED flashes every 4 seconds
Technical issue	2 short clicks one after the other, with 1 minute interval	Yellow LED flashes & Red LED flashes
Lifetime Warning	3 short clicks one after the other, with 1 minute interval	Yellow LED flashes & Red LED flashes

Technical Specification

Power adapter, out/in:	12 V DC (=), 200mA fused with 3 Amp	230 V AC (-) 50 Hz; 5 W
Power consumption:	60mA(at alarm: 90mA)	
Detection Features:	Propane, Butane, methane (bottle gas, natural gas and city gas)	
Detects / Alarms at:	Natural Gas 4.5% of LEL Methane 5.0% of LEL Propane 2.1% of LEL Butane 1.9% of LEL	
(LEL: lowest explosive limit in air)		
Sound pressure:	85 dB at 1m	
Calibrated according to:	EN 50194-1: 2009 (calibrated with gas of LPG type)	
Temperature range:	-10 to +50 °C (max. relative humidity: 90%)	
Measure:	76 x 76 x 31 mm (height x width x depth)	
Weight:	78,5 gr	
Linkable by wire:	With up to 16 units (Deltronic DGA-6211 or DGA-6233 only)	

Mains Power Voltage Interruptions

If you connect this unit to a power outlet with many power interruptions per day, we recommend you to use an UPS to secure a stable and correct operation under all circumstances. Please contact your dealer for further information.

DGA-6233 (Relay option)

DGA-6233 contains two relays for connecting to external low voltage equipment (max 30Volt/2Amp DC).

Relay 1

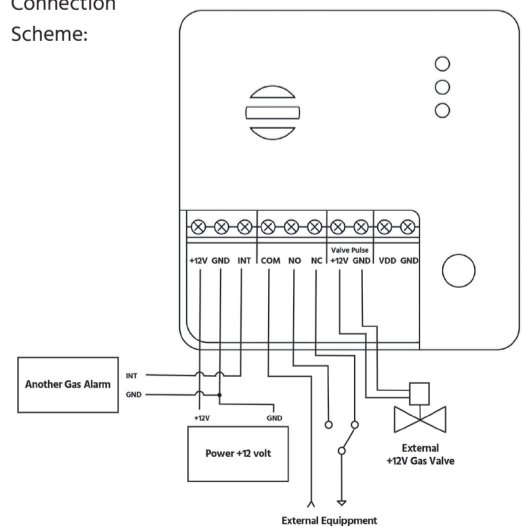
Normal toggling function (COM/NO/NC) is activated when the gas alarm is triggered above pre-set alarm values, see % of LEL.

Pulse relay 2

Is only intended for +12V gas valves, released by a short pulse (1 second). DN15A/B, DN20A/B, DN25A/B

Connection

Scheme:



Test external equipment DGA-6233

Test externally connected equipment by pressing and holding the test button until the gas alarm has emitted 4 short beeps, the red LED will flash once for each beep, indicating proper operation. Then release the button and relay 1 toggles and relay 2 emits a short pulse.

Check your external equipment, when done briefly press the test button to reset the relays, returning to normal monitoring mode.

12V DC Cigarette Adapter

The cigarette adapter contains a glass fuse and a switch, if you don't get correct function at 12VDC, it may be worth checking these two things.

Furthermore, it is only one side of the ground sheet (GND) metal that conducts power, which can sometimes mean that the adapter in the car or the boat's socket should be rotated a bit for proper functioning.



Uncertain if the device is working?

Are you doubtful if your device is working correct?

We at Deltronic, take your concerns very seriously, does the Gas alarm work properly, can I trust it? The unit measures gas concentration over time and it can sometimes be difficult to simulate an "invented" gas leak. Since it is both complicated and dangerous to test a gas alarm correctly, we offer you to send the unit to us, if you are unsure about the correct operation. We will then test the device safely and return it to your specified return address. Please see the address to us below.

* Life time of sensor

Depending of model, your Gas alarm have a 5 or a 10 year sensor. If a 10 year sensor, it will be stated on the back of the marking label. Regardless of sensor type, you will get an alarm notification (3 short beeps) when the sensor is worn out. Keep in mind that a lot of things may affect the life time of the sensor, humidity, cycle of gas presence among other parameters. If you like to prolong the lifetime of the device, please store the device dry and warm when not in use, disconnected from power.

Product Warranty

Deltronic Security AB guarantees to you as a buyer that the Gas alarm will be free from material, workmanship or design defects under normal use and service for a period of three years. This guarantee cannot be transferred. Our liability to you, under this warranty, is limited to repairing or replacing any part that we believe is defective in material, workmanship or design, free of charge to the customer, when you send the alarm to us, do so with proof of purchase date and with postage paid to:

Deltronic Security AB, EA Rosengrens gata 4, 421 31 Västra Frölunda, Sweden.

The terms of this warranty will not apply in the following circumstances: If the Gas alarm has been modified, dismantled, contaminated, damaged, neglected or otherwise abused or altered after the date of purchase or if it does not function due to incorrect placement, installation or damage caused by the not complying with the attached instructions.

The liability of **Deltronic Security AB**, as a result of the sale of this Gas alarm or under the terms of this warranty, shall in no case exceed the cost of replacing the Gas Alarm.

In no event shall **Deltronic Security AB** be liable for consequential or consequential damages as a result of device failure or breach of this or any other warranty, expressed or implied or for damage caused by failure to maintain specified in the accompanying instructions. This warranty will not affect your statutory rights.

Electrical waste

The unit is sorted as electronic waste, only discarding the unit at a recycling centre, approved by the municipality, after the product's life has expired.

Deltronic

For more information or if you have any questions, please feel free to contact Deltronic, at the following address:

Deltronic Security AB
EA Rosengrens gata 4
SE-421 31 Västra Frölunda
Sweden
info@deltronic.se
www.deltronic.se
Phone: +46 (0)31-140 800

SAVE THE INSTRUCTION FOR THE FUTURE

Built and tested against EN 50194-1: 2009



version 1.4 2023-05-04

ANVÄNDARMANUAL

Deltronic



Gasalarm DGA-6211 & DGA-6233

Viktigt: Läs följande instruktioner innan du installerar enheten! Det är viktigt att uppnå önskat resultat och förhindra skador på användaren och omgivningen.

Produktbeskrivning

Denna gasvarnare är konstruerad för att detektera och larma vid förekomst av olika typer av explosiva gaser i normal bostadsmiljö samt sommar/fjällstugor. Explosiva gaser är farliga när koncentrationen överstiger en viss nivå, den s.k. lägre explosionsgränsen i luft (LEL). Gasvarnaren är kalibrerad för att larma i god tid innan detta gränsvärde är uppnått. För närmare information om vilka gaser som varnaren detekterar, samt kalibrerad larmnivå, se nedan. Varnaren ansluts antingen till 12VDC (likspänning) när den används i till exempelvis sommar/fjällstugor. I bostäder ansluts den direkt till ett vägguttag via medföljande nätadapter för 230VAC till 12VDC.

Egenskaper

- LED-lamporna lämnar information om gaslarmets status under installation, vid larm samt normal drift.
- Ett tryck på test-/pausknappen tystar eventuella oönskade larm under 10 min.
- Automatisk självtest som säkerställer att sensorn fungerar tillförlitligt.
- Möjlighet att sammankoppla med upp till 16 andra gasvarnare.
- Automatisk varning om att sensorn är förbrukad.
- Känslighet i enlighet med kraven i EN 50194-1:2009.

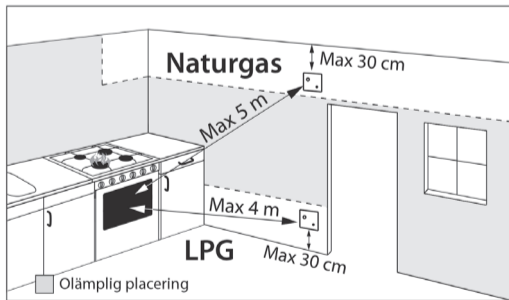
Placering

Vi rekommenderar att gaslarmet monteras i närheten av all gasansluten utrustning, nära gasledning och gastankar. Installation av flera gaslarm kan ofta öka din säkerhet. Beroende på vilken typ av gas du i första hand vill detektera bör Gaslarmet monteras på olika höjder. Se också till att det finns ett vägguttag max. 1,5 meter från platsen där larmet finns, om du väljer att använda den bi-packade 230 V AC nätadapter.

NOTERA! Gaslarmet bör installeras av en kunnig person eller expert. Det finns risk för permanenta fel om utrustningen är felaktigt installerad, modifierad eller skadad under installationen.

Naturgas/Stadsgas (Metan)

Naturgas består huvudsakligen av metan som är **lättare än luft**. Gaslarmet ska då monteras **högt upp** på väggen. Tänk på att gaslarmet inte kan vara monterat lägre än någon dörr eller fönsteröppning. Normal placering är högst 30 cm från taket och ca 1-5 m från gasutrustningen. Se figuren nedan.



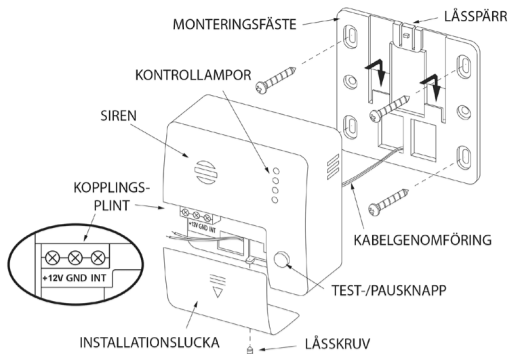
LPG gas, (Propan eller Butan)

Om ni skall detektera LPG (flaskgas) som är **tyngre än luft**, ska gaslarmet monteras **lågt**, nära den lägsta punkten. Tänk på att det inte ska finnas någon dörr eller fönster mellan larmet och själva gaskällan, det kan förhindra att läckande gas når larmet. Normal placering är högst 30 cm från golvet och högst 4m från gasutrustningen. Se figuren ovan. Tänk på att den här typen av gas är tung och kan även "rinna ned" under golvet. Placera därför larmet under eventuella avtagbara eller öppna golvlösningar!

Undvik placering:

- Direkt ovanför en ugn eller spis där mat, stekfett och smuts kan påverka larmet över tid.
- Direkt ovanför ett handfat eller diskho där vattenstänk (fukt) och smuts kan påverka larmet.
- Intill ventilationskanaler, fläktar eller dåligt isolerade fönster/dörrar då det kan finnas risk för drag.
- Bygg inte in eller täck över gaslarmet, eftersom det kan fördröja upptäckten av ett gasläckage.
- Utomhus eller där luftfuktigheten är mindre än 30 % eller högre än 90 % relativ luftfuktighet t.ex. i badrum. Drifttemperaturen kan vara mellan -10 och +50 °C.

Installation



1. Välj lämplig plats för installation enligt avsnittet "Placering" enligt ovan. Se till att inga elektriska ledningar eller vattenrör kan skadas under installationen vid borring. Lossa monteringsfästet på baksidan genom att påverka lås fiiken på enhetens övre del.
2. Lossa skruven på undersidan av larmet och ta bort installationsluckan. Välj lämplig typ av medföljande spänningsladd, antingen den med en 12V DC Cigarettkontakt eller den med en 230V AC adapter. Anslut kabeln till plintarna märkta "+12V" och "GND". Vid behov kan kabeldragningen göras antingen bakifrån (genom monteringsfästet) eller genom installationsluckan rakt underifrån. Kontrollera polariteten, positiv ledare till "+12V", och negativ till "GND" se markering på kablarna, eftersom färgen på kablarna inte alltid är densamma i olika tillverkningsbatcher.
3. För att förbättra detektering och larm kan gaslarmet sammankopplas till andra gaslarm, i detta fall använd två separata ledare på plintarna märkta "INT" och "GND" upprepa mellan alla enheter. På en bil- eller båtinstallation räcker det med en kabel vid "INT" då fordonen har gemensam jord eller GND.
4. Fäst monteringsplattan (med låsfiiken vänd uppåt) på väggen med den medföljande skruven och pluggen. Stäng installationsluckan och lås sedan luckan med skruven. Skjut sedan fast larmet på monteringsfästet.
5. Anslut strömförsörjningen till 12 VDC eller om tillämpligt, till 230 VAC via den medföljande nätadaptern. När strömförsörjningen är korrekt ansluten lyser den gröna lysdioden. Kort därefter kommer även den gula och röda lysdioden att lysa i ca 1 sek, vilket indikerar att gaslarmet fungerar, enheten är driftsklar efter 5 min, när sensorn har värmts upp.
6. Om den gröna lysdioden lyser är larmet klart att användas, om inte, kontrollera anslutningen och strömförsörjningen enligt ovan. Tryck sedan på testknappen för att kontrollera gaslarmet. **NOTERA!** Hög ljudnivå >85dB!

NOTERA! Det kan ta upp till 5 minuter innan gaslarmet kalibrerats beroende på omgivningstemperaturen!

Funktioner

Larm vid gasdetektering:

När gas är närvarande (överskrider detekteringsnivån % av LEL) kommer ett larm med en serie av 4 kraftiga pip, som upprepas kontinuerligt med 1/2 sek intervall tillsammans med röda LED-indikation. Se även "Sammankoppling" (via kabel) nedan.

NOTERA! Det kan vara möjligt att känna lukten av gas i luften innan larmet har löst ut, koncentrationen är då under den inställda % av LEL beroende på gastyp eller så har gasen inte nått sensorn ännu!

Pausfunktion:

Larmsignalen kan avbrytas genom att man trycker på test- och pausknappen. Larmsignalen stannar då omedelbart och förblir tyst i cirka 10 minuter. Röd lysdiod fortsätter att blinka med 4 sekunders intervaller.

Sammankoppling (via kabel):

För att få tidigast möjliga varning kan upp till 16 gaslarm anslutas tillsammans via kabel. När en enhet larmar, larmar alla sammankopplade enheter. Röd lysdiod blinkar då endast i enheten som detekterat själva gasen. Läs vidare i avsnittet "Översikt signal funktioner" enligt nedan.

Livstidsvarning och automatiskt självtest:

Gassensorn har en begränsad livslängd på 5 eller 10 år*, enheten varnar i god tid innan sensorn är förbrukad. Då byter man ut hela gaslarmet. Detektorn är även utrustad med en självtest funktion, som säkerställer korrekt funktion. Vid tekniskt fel indikeras detta med 2 korta klick, livstidsvarningen indikeras med 3 korta klick, i båda fallen med 1 minuts intervall. Gul LED blinkar och röd LED lyser fast. Vid tekniskt fel, rengör larmet och kontrollera strömförsörjningen och försök vid behov placera larmet i ett annat rum. Vid kvarstående fel eller larm från livstidsvarning bör byte göras så snart som möjligt.

Test och skötsel

WARNING! Tester med gas från en cigarettändare, att doppa gaslarmet i en hink full med gas eller låta strömmande gas passera genom sensorn, kan skada enheten eller ännu värre skapa en lokal explosion.

När blandningen av gas i luften når sensorn och är över det förinställda %-värdet av LEL, kommer enheten att larma.

- Testa gaslarmet genom att trycka på testknappen. Larmet avger då 4 korta pip medan den röda lysdioden blinkar en gång för varje pip, vilket indikerar korrekt funktion. **NOTERA!** Hög ljudnivå >85dB!
- Testa gaslarmet regelbundet varje månad och alltid efter längre frånvaro från enheten.
- Kontrollera även att indikatorlampan (röd lysdiod) blinkar en gång i minuten (normal drift).
- Håll gaslarmet fritt från fukt (fuktigt miljö) och smuts.
- Dammsug regelbundet alla öppningar med den mjuka borsten på dammsugaren.
- Använd aldrig rengöringsmedel, vatten eller kemikalier vid rengöring, eftersom dessa kan skada gassensorn! Lösningemedelsbaserade rengöringsmedel, alkohol, lack, färg eller aerosoler som används i närheten av gaslarmet kan också utlösa oönskade larm.
- Prova gaslarmet efter varje rengöring genom att trycka på testknappen.
- När du lämnar ett område där gas används, stäng av utrustningen och även gastillförseln om möjligt.

- Gör inga ändringar i gasinstallationen om du inte har tillräckliga kunskaper.
- Se till att gasinstallationen utförs i enlighet med gällande föreskrifter. Låt en specialist kontrollera utrustningen regelbundet.
- Undvik om möjligt att sova i omedelbar närhet av gasinstallationer.

Vid larm

- Ta alla larm om gasläckage på allvar. Håll dig lugn och om vi får föreslå följande åtgärder, men inte nödvändigtvis i den ordning de är listade:
- Stäng av gastillförseln och kontrollera ansluten utrustning såsom rör, rör-delar och slangar.
- Öppna omedelbart alla fönster och dörrar för att ventilera.
- Slå aldrig på eller av några elektriska maskiner och lampor eftersom en gnista inuti strömbrytarna kan orsaka explosion. Släck omedelbart alla öppna lågor, inklusive lågor från cigarett och ljus.
- I nödfall, kontrollera att alla personer i byggnaden, båten, husvagnen etc. är säkra utomhus. Ring Räddningstjänsten på 112 från utsidan av byggnaden, när det är säkert att göra det!
- Återvänd inte till byggnaden förrän räddningspersonal har anlät och utrymnet ventilerats och larmsignalen har upphört. Tänk på att tung gas är svårt att ventilera ut från lågt belägna hålrum.
- I andra fall, eller om larmsignalen fortsätter att ljuda efter att pausfunktionen har aktiverats, utrym lokalen. Kontakta din leverantör av gasutrustning, auktoriserad specialist eller räddningstjänsten för hjälp. Det samma gäller förstas om du inte hittar läckan.

Översikt signal funktioner

	Ljud	Lysdiod
Normal funktion	Inget ljud	Röd LED blinkar en gång varje minut
Gaslarm	4 kraftiga pip efter varandra, med 1,5 sek intervall	Röd LED blinkar kontinuerligt
Gaslarm från sammankopplad gasvarnare	4 kraftiga pip efter varandra, med 1,5 sek intervall	Ingen särskild LED-indikation
Testknapp felaktig	1 pip var 12:e sek	Ingen särskild LED-indikation
Pausläge	Ingen larmsignal under 10 min	Röd LED blinkar var 4:e sek, vid närvaro av gas
Tekniskt fel	2 korta klick efter varandra, med 1 min intervall	Gul LED blinkar, röd LED blinkar
Livslängds varning	3 korta klick efter varandra, med 1 min intervall	Gul LED blinkar, röd LED blinkar

Teknisk Specifikation

Nätadapter, ut/in:	12 V DC (=), 200 mA avsäkrad 3 Amp	230 V AC (-) 50 Hz; 5 W
Strömförbrukning:	60 mA (vid larm: 90 mA)	
Detektionsegenskaper:	Propan, butan, metan (flaskgas, naturgas och stadsgas)	
Detekterar/larmar vid:	Natural Gas 4.5% of LEL Methane 5.0% of LEL Propane 2.1% of LEL Butane 1.9% of LEL (LEL: lägsta explosiva gränsen i luft)	
(LEL: lägsta explosiva gränsen i luft)		
Ljudstyrka:	85 dB vid 1 m	
Kalibrerad enligt:	EN 50194-1:2009 (kalibrerad med gas av LPG-typ)	
Temperaturområde:	-10 till +50 °C (max relativ luftfuktighet: 90 %)	
Mått:	76 x 76 x 31 mm (höjd x bredd x djup)	
Vikt:	78,5 g	
Sammankopplings bar med kabel:	Med upp till 16 enheter (endast Deltronic DGA-6211 eller DGA-6233)	

Vid störningar på elnätet

Ansluter du denna gasvarnare till ett eluttag med återkommande strömavbrott eller flera nätstörningar per dag, rekommenderar vi att du använder en UPS för att säkerställa en så stabil och säker drift som möjligt. Kontakta din återförsäljare för mer information.

DGA-6233 (Relä)

DGA-6233 innehåller två reläer för anslutning till extern lägsäkningsutrustning (max brytf. 30Volt/2Amp DC).

Relä 1

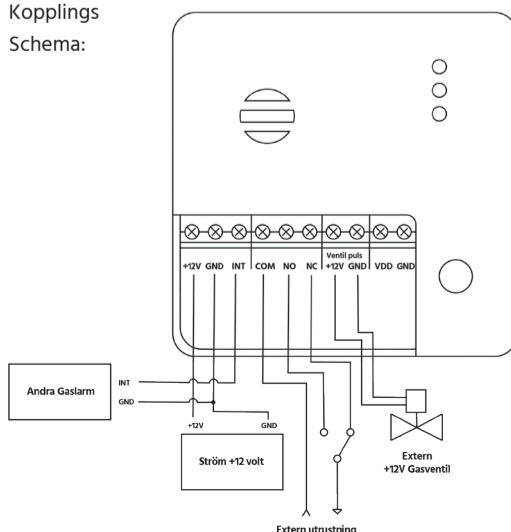
Normal växlingsfunktion (COM/NO/NC) aktiveras när gaslarmet utlöses över förinställda larmvärden, se % av LEL.

Pulsrelä 2

Är endast avsedd för +12V gasventiler, släpps med en kort puls (1 sekund). DN15A/B, DN20A/B, DN25A/B

Kopplings

Schema:



Prova extern utrustning DGA-6233

Prova externt ansluten utrustning genom att trycka och hålla in testknappen tills gaslarmet har avgett 4 korta pip, den röda lysdioden blinkar en gång för varje pip, vilket indikerar korrekt funktion. Släpp sedan knappen och relä 1 växlar och relä 2 avger en kort puls.

Kontrollera din externa utrustning, när du är klar trycker du kort på testknappen för att återställa reläerna och återgå till normalt bevakningsläge.

12V DC Cigarettkontakt

Cigarettkontakten innehåller en glassäkring och en strömbrytare, om ni inte får korrekt funktion vid 12VDC, så kan det vara värt att kontrollera dessa två saker.

Vidare är det endast en sida av jordblecket som leder ström (GND), det kan ibland innebära att man får rotera kontakten i bilen eller båtens uttag för korrekt funktion.



Osäkerhet om enheten fungerar?

Är du tveksam till om din enhet fungerar korrekt?

Vi på Deltronic tar din oro på största allvar, fungerar gaslarmet som det ska, kan jag lita på det? Enheten mäter gaskoncentration över tid och det kan ibland vara svårt att simulera en "uppfunnen" gasläcka. Eftersom det är både komplicerat och farligt att testa ett gaslarm korrekt, erbjuder vi dig att skicka gaslarmet till oss, om du är osäker på funktionen. Vi kommer att prova enheten ut ett säkert sätt och returnera den till din angivna returadress. Se adressen till oss nedan.

* Sensorns livstid

Beroende på modell har ditt gaslarm en 5 eller 10 års sensor. Vid en 10 års givare, kommer det att anges på baksidan av märkningsetiketten. Oavsett sensortyp får du ett femdelande (3 korta pip) när sensorn är förbrukad. Tänk på att många saker kan påverka sensorns livslängd, luftfuktighet samt närvaro av gas, bland andra parametrar. Om du vill förlänga enhetens livslängd, vänligen förvara enheten torrt och varmt när den inte används, bortkopplad från spänningskälla om möjligt.

Produktgaranti

Deltronic Security AB garanterar dig som köpare att Gasvarnaren kommer att vara fri från material-, utförande- eller konstruktionsfel under normal användning och service under en period av tre år. Denna garanti kan inte överlåtas. Vårt ansvar gentemot dig, enligt denna garanti är begränsad till att reparera eller byta ut någon del som vi anser är felaktig i material, utförande eller design, kostnadsfritt för kunden. När ni skickar in gaslarmet till oss, gör det med bevis på inköpsdatum, samt med porto betalat till:

Deltronic Security AB, EA Rosengrens gata 4, 421 31 Västra Frölunda, Sweden.

Villkoren för denna garanti kommer inte att gälla under följande omständigheter: Om Gasvarnaren har modifierats, demonterats, förorenats, skadats, försumrats eller på annat sätt missbrukats eller förändrats efter inköpsdatumet eller om den inte fungerar på grund av fel placering, installation eller skador orsakade av att instruktionerna inte efterlevts.

Ansvaret för Deltronic Security AB, till följd av försäljningen av denna Gasvarnare eller enligt villkoren i denna garanti får inte i något fall överstiga kostnaden för utbyte av Gasvarnaren.

Deltronic Security AB ska under inga omständigheter hållas ansvarigt för skador eller följdsador till följd av enhetsfel eller brott mot denna eller någon annan garanti, uttrycklig eller underförstådd, eller för skada orsakad av underlåtenhet att underhåll som specificeras i de medföljande instruktionerna. Denna garanti påverkar inte dina lagstadgade rättigheter.

Elektriskt avfall

Enheten sorteras som elektronikavfall, kassera enheten på en av kommunens godkända återvinningscentraler, efter att produktens är uttjänt.

Deltronic

För mer information eller om du har några frågor är du välkommen att kontakta Deltronic, på följande adress:

Deltronic Security AB
EA Rosengrens gata 4
421 31 Västra Frölunda
Sverige
info@deltronic.se
www.deltronic.se
Tel: 031-14 08 00

SPARA INSTRUKTIONEN FÖR FRAMTIDEN

Byggd och provad mot: EN 50194-1: 2009



version 1.4 2023-05-04